

# CSI Titan Series TDP233 Duplex Pressure

## FEATURES:

- Flashing Red Alarm Light
- 2 - Run Lights
- High Decibel Audible (optional)
- NEMA 4X Fiberglass Enclosure
- Stainless Piano Hinged Door
- Stainless Door Latches w/Padlock Hasp
- External Mounting Feet
- Automatic Alternating Relay/Override Circuit
- 2 - 3 Pole, Non-Reversing Contactors
- 2 - Adjustable Overload Relays
- 2 - Hand Run Pushbuttons
- Alarm Test/Silence Pushbutton
- Field Wiring Terminal Strips
- 2 - Motor Circuit Breakers
- Control Circuit Transformer - Primary Fusing & Breaker
- Individual Control/Alarm Circuit Fuses
- UL 508A Listing (optional)
- One Year Limited Warranty

See Page 16 to learn about the Advantages of the Titan Pressure System!



## APPLICATIONS INCLUDE:

Starting & Stopping Pump for:  
 Sump & Sewage Basins  
 Septic Tanks & Aeration Systems  
 Cisterns & Atmospheric Storage Tanks  
 Chemical Solution Tanks  
 And Many More...

No Motor Heat Sensor  
 or Seal Fail Probes

## AVAILABLE OPTIONS:

Piezo Buzzer

(Automatic reset silence circuit included with all audibles)

Digital Display Center

UL 508A Listing

## Specifications

| Model   | Location Use | Max Full Load Amps | Enclosure Type | Enclosure Material | Input Power VAC -Ph | Audible Included | Alarm Fuse | Control Fuse | Approx Ship Weight | List Price Panel Only(**)(*) |
|---------|--------------|--------------------|----------------|--------------------|---------------------|------------------|------------|--------------|--------------------|------------------------------|
| TDP233  | Outdoor      | 18                 | NEMA 4X        | Fiberglass         | 230-3               | ---              | 3 Amp      | 3 Amp        | 21 lbs             | \$1,875.00                   |
| TDP233P | Outdoor      | 18                 | NEMA 4X        | Fiberglass         | 230-3               | Piezo            | 3 Amp      | 3 Amp        | 21 lbs             | \$1,959.00                   |

\*\*Add Suffix For FLA Requirement (See table below)

\*Add Suffix - "MB" to Model # If Ordering Pressure Bell Mounting Bracket (\$45 list) or "TK" for a Tether Kit (\$55 list)

The system comes standard with a pressure bell and 50ft of tubing. More tubing is available (\$.70 per foot list).

To include elapsed time meters, cycle counters, and level read out a digital display may also be added (\$170 list)

### \*\*FLA Rating Table

**\*\*Important\*\***  
 This Titan Series panel is for small effluent type pumps only. No provisions for motor heat sensors or seal probes are provided. When ordering any of the above panels, match the full-load-amperes (FLA), of the pump(s) you are using to the chart to the right and add the proper suffix to the model number. EXAMPLE: You need a duplex control panel with alarm light and Piezo - your pump is 230 V with FLA rating of 5 - Order Model #TDP233P-10 for panel only or Model #TDP233P-10-MB if you want the mounting bracket included

| FLA       | Suffix | FLA     | Suffix |
|-----------|--------|---------|--------|
| .063-1.0  | -05    | 5.5 - 8 | -12    |
| 1.0 - 1.7 | -06    | 7 - 10  | -14    |
| 1.6 - 2.5 | -07    | 9 - 13  | -16    |
| 2.5 - 4   | -08    | 12 - 18 | -21    |
| 4 - 6     | -10    |         |        |

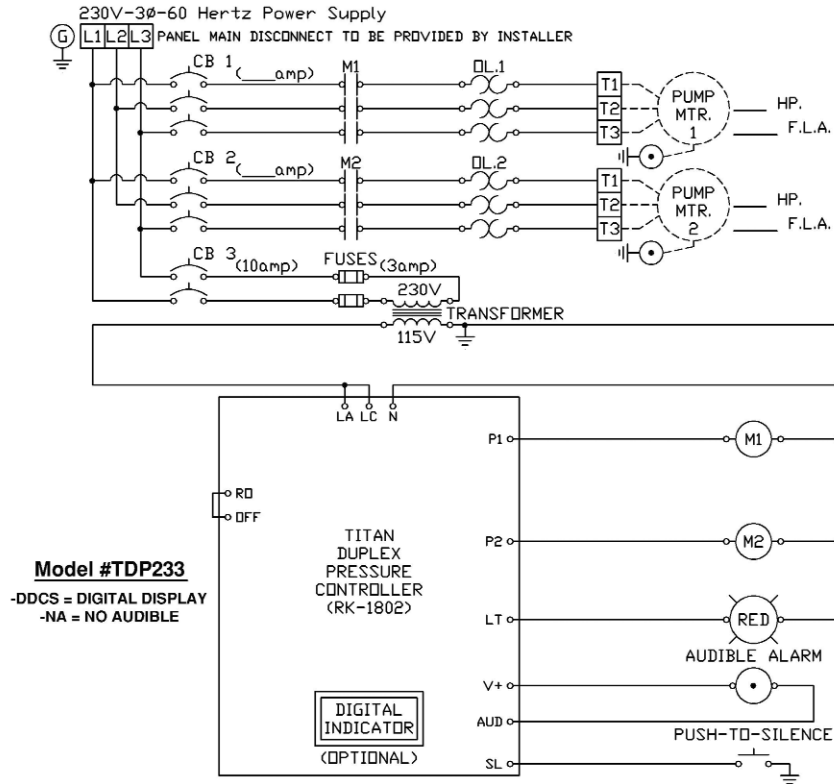
CSI Controls™, 220 Ohio Street, Ashland, Ohio 44805 · Phone 419-281-5767 · FAX 419-289-2535

©2009 CSI

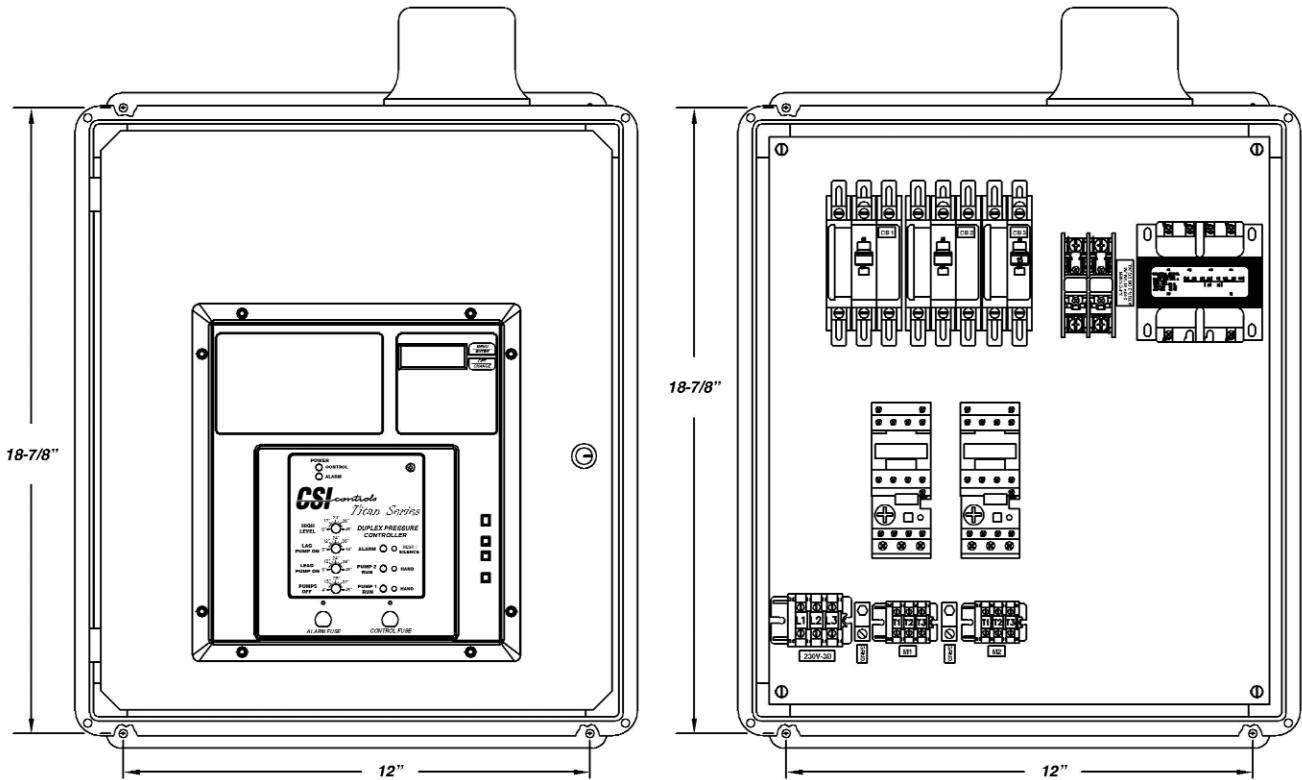
www.csicontrols.com

csi.info@csicontrols.com

# CSI Titan Series TDP233 Duplex Pressure



CONTROLS



## Model #TDP233 w/Audible

AUDIBLE ALARM WILL BE MOUNTED THROUGH THE BOTTOM OF THE ENCLOSURE