

FEATURES:

- Flashing Red Alarm Light
- Amber Run Light
- High Decibel Audible (optional)
- NEMA 4X Fiberglass Enclosure
- Stainless Piano Hinged Door
- Stainless Door Latches w/Padlock Hasp
- External Mounting Feet
- 3 Pole, Non-Reversing Contactor
- “Hand/Off/Auto” Heavy Duty Toggle
- Alarm “On/Off/Test” Heavy Duty Toggle
- Field Wiring Terminal Strips
- Motor Circuit Breaker
- Control Circuit Breaker
- Individual 3 Amp Control/Alarm Circuit Fuses
- UL 508A Listing (optional)
- One Year Limited Warranty



S230P shown

APPLICATIONS INCLUDE:

Starting & Stopping Pump for:
 Sump & Sewage Basins
 Septic Tanks & Aeration Systems
 Cisterns & Atmospheric Storage Tanks
 Chemical Solution Tanks
 And Many More...

2 Hp. Max. - Motors With On-Winding Overload Protection

AVAILABLE OPTIONS:

Piezo Buzzer
 Alarm Bell
 Vibrating Horn

(Automatic reset silence circuit included with all audibles)
 UL 508A Listing

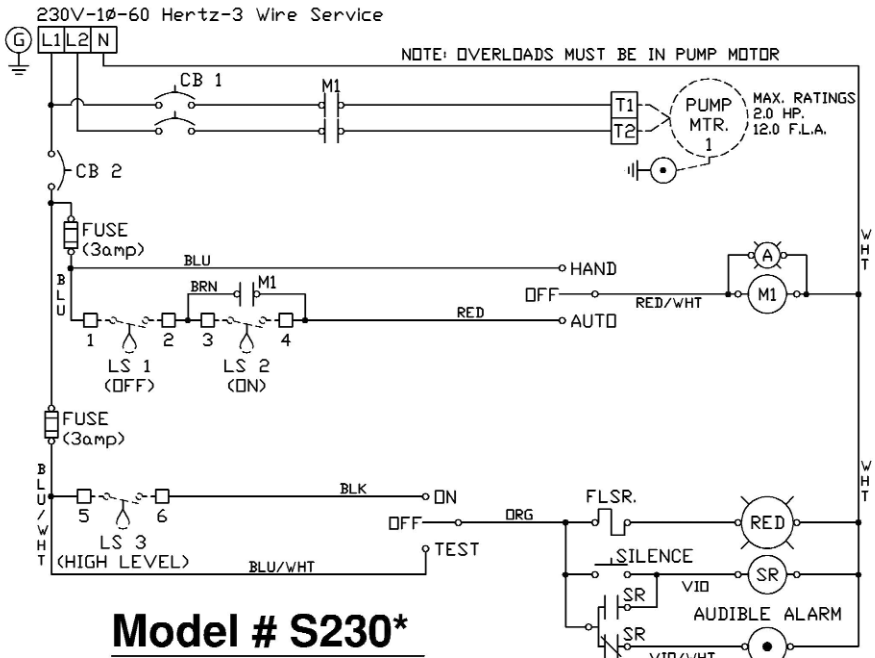
Specifications

Model	Location Use	Max Full Load Amps	Enclosure Type	Enclosure Material	Input Power VAC -Ph	Audible Included	Alarm Fuse	Control Fuse	Approx Ship Weight	List Price Panel Only	List Price Panel w/ Floats & Bracket*
S230	Outdoor	12	NEMA 4X	Fiberglass	230-1	---	3 Amp	3 Amp	11 lbs	\$499.69	\$609.15
S230P	Outdoor	12	NEMA 4X	Fiberglass	230-1	Piezo	3 Amp	3 Amp	12 lbs	\$574.59	\$684.05
S230B	Outdoor	12	NEMA 4X	Fiberglass	230-1	Bell	3 Amp	3 Amp	13 lbs	\$611.67	\$721.13
S230H	Outdoor	12	NEMA 4X	Fiberglass	230-1	Horn	3 Amp	3 Amp	13 lbs	\$724.87	\$834.33

*Add Suffix - FB to Model # If Ordering Float Switch and Float Switch Mounting Bracket Option
 Float Kit Includes (3) MPF-0-10 Float Switches & (1) FSB-SS3 Float Switch Mounting Bracket

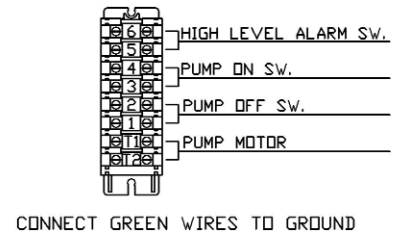
Can't Find What You Need Listed Above?
 Remember CSI can custom build control panels to meet your specific needs!

CSI Watch Dog Series S230 NEMA 4X Simplex Control

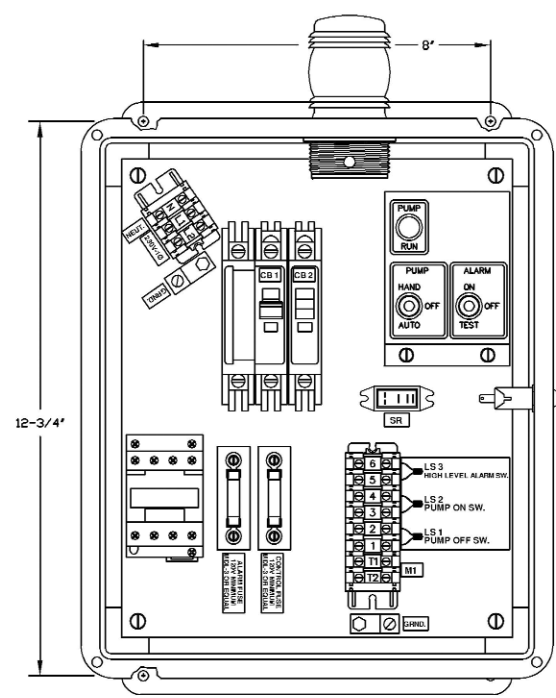


Model # S230*

- * = Audible Options
- P = Piezo
- B = Bell
- H = Horn



CONTROLS



Model #S230 w/Audible

PIEZO AUDIBLE WILL BE MOUNTED THROUGH THE BOTTOM OF THE ENCLOSURE. BELL OR HORN AUDIBLE WILL BE MOUNTED ON THE DOOR OF THE ENCLOSURE.