

FEATURES:

- Flashing Red Alarm Light
- Amber Run Light
- High Decibel Audible (optional)
- NEMA 4X Fiberglass Enclosure
- Stainless Piano Hinged Door
- Stainless Door Latches w/Padlock Hasp
- External Mounting Feet
- 3 Pole, Non-Reversing Contactor
- Adjustable Overload Relay
- Motor Heat Sensor Connection
- Motor Seal Fail Circuit
- “Hand/Off/Auto” Heavy Duty Toggle
- Alarm “On/Off/Test” Heavy Duty Toggle
- Field Wiring Terminal Strips
- Motor Circuit Breaker
- Control Circuit Breaker
- Individual 3 Amp Control/Alarm Circuit Fuses
- UL 508A Listing (optional)
- One Year Limited Warranty

AVAILABLE OPTIONS:

Piezo Buzzer

Alarm Bell

Vibrating Horn

(Automatic reset silence circuit included with all audibles)

UL 508A Listing



SSC2230P shown

APPLICATIONS INCLUDE:

Grinder & Non-Clog Pumps for:
Residential, Commercial & Industrial
Lift Stations
Sewage Basins & Tanks
Pressure Sewer Systems
And Many More...

Motor Start Components NOT Included

Specifications

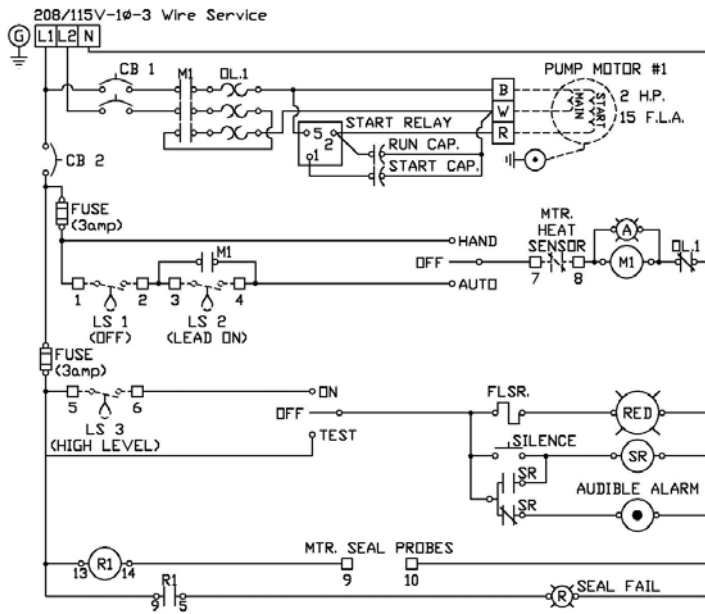
Motor Start Components NOT Included

Model	Location Use	Max Full Load Amps	Enclosure Type	Enclosure Material	Input Power VAC -Ph	Audible Included	Control & Alarm Fuses	Max Pump HP	Approx Ship Weight	List Price Panel Only	List Price Panel w/ Floats & Bracket*
SSC2230	Outdoor	12	NEMA 4X	Fiberglass	230-1	---	3 Amp	2	26 lbs	\$723.32	\$832.78
SSC2230P	Outdoor	12	NEMA 4X	Fiberglass	230-1	Piezo	3 Amp	2	26 lbs	\$794.05	\$903.51
SSC2230B	Outdoor	12	NEMA 4X	Fiberglass	230-1	Bell	3 Amp	2	27 lbs	\$837.01	\$946.47
SSC2230H	Outdoor	12	NEMA 4X	Fiberglass	230-1	Horn	3 Amp	2	28 lbs	\$944.28	\$1,053.74

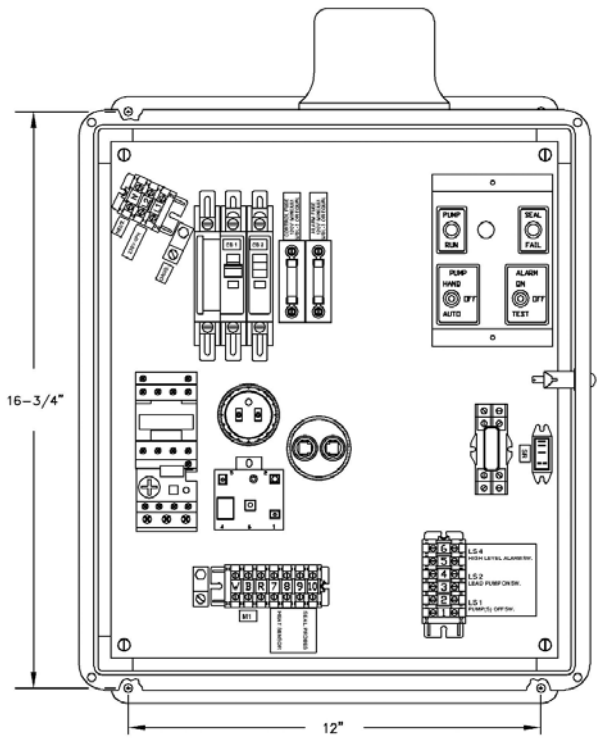
*Add Suffix - FB to Model # If Ordering Float Switch and Float Switch Mounting Bracket Option
Float Kit Includes (3) MPF-0-10 Float Switches & (1) FSB-SS3 Float Switch Mounting Bracket



Watch Dog Series SSC2230 NEMA 4X Simplex Control



CONTROLS



Typical Model #SSC2230 w/Audible